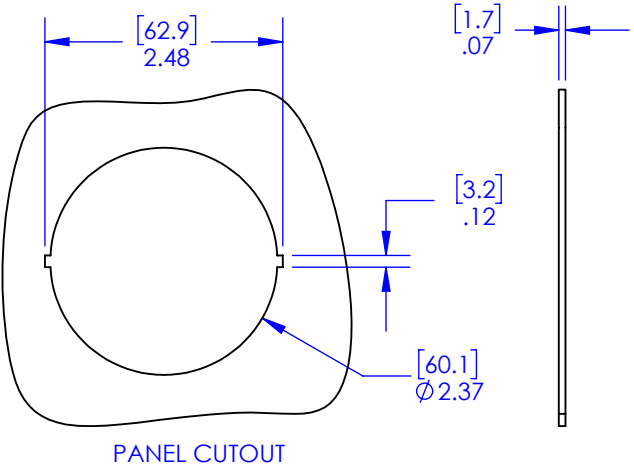
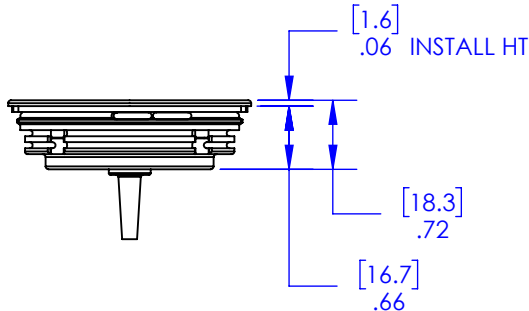
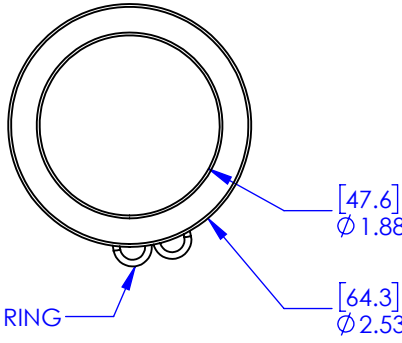


THE INFORMATION CONTAINED IN THIS DRAWING IS THE SOLE PROPERTY OF BLUE WOLF. ANY REPRODUCTION OR DISCLOSURE IN PART OR WHOLE WITHOUT THE WRITTEN PERMISSION OF BLUE WOLF IS PROHIBITED.



	Min	Typ	Max	Units
Supply Voltage Range (Nominal)	18	28	34	Vdc
Input Power	1.8	2.8	3.4	Watts
Current (@ 100% Duty Cycle - PWM Input)			100	mA
Light Intensity (From Min/Max Supply Range)	Constant Light Output			
Lumens - White		125		lm
Lumens - NVIS White		55		lm
Number of LED's		25		
Beam Angle (Diffuse Light)		160		Deg.
Dimming Control - (via PWM Duty Cycle input)	0%		100%	
Maximum PWM input Voltage			34	Vdc
PWM Input Frequency (Note 1 & 2)	100		1000	Hz
Maximum Fixture Voltage			250	Vdc
Reverse Polarity Protected - Yes			-250	Vdc

(Note-1) The PWM signal must be a Square Wave at a fixed frequency between Max PWM input voltage specified and DC common.

(Note-2) By driving the PWM input wire to DC common, the light will turn off. By connecting the PWM input wire to DC Positive (for 100% on all the time), or by driving the PWM input to DC Positive with a PWM input signal, the light will turn on from 0% to 100%.

Operating Temp Range	-40/-40		122/50	F/C
Storage Temperature Range	-40/-40		176/80	F/C

Housing Material	6061-T6 Aluminum
Finish Color (ADDITIONAL COLORS AVAILABLE UPON REQUEST)	Anodized "Black" Standard
Total Weight	2.4oz (.07kg)
Lens	Plastic
ROHS Compliant	
Made in the USA	MIL-1275 Compatible
NVIS compliant per MILSTD 3009	MIL-810G Compatible

<b>Wiring Information</b>	*Optional Jam Nut Receptacle D38999/24WA98PN
Standard Wiring (6 inches) from fixture	Connector Pin-out
(+Vdc) M22759/34-22-9 (WHT)	Pin A - +Vdc Voltage
(+Gnd) M22759/34-22-0 (BLK)	Pin B - Ground
(PWM) M22759/34-22-6 (BLU)	Pin C - PWM Input

REV.	DESCRIPTION	DATE	APPROVED
A	INITIAL RELEASE.	2/17/2017	D.SAND

<b>UNLESS OTHERWISE SPECIFIED: DIMENSIONS ARE IN INCHES STANDARD TOLERANCES ARE</b>		CAD GENERATED DRAWING, DO NOT MANUALLY UPDATE	
.X ± .032 .XX ± .010 .XXX ± .005	APPROVALS	DATE	
ANGLES ± 1/2° FRACTIONS ± 1/16	DRAWN	D. SAND	1/20/2017
THIRD ANGLE PROJECTION DIM & TOL PER ASME Y14.5-2009	CHECKED	TAP	1/23/2017
MATERIAL	RESP ENG		
FINISH	MFG ENG		
DO NOT SCALE DRAWING	QUAL ENG		

		SIZE	DWG. NO.	REV.
		A	BW-A360	A
SCALE 1:2	CAD FILE:	SHEET 1	OF 1	