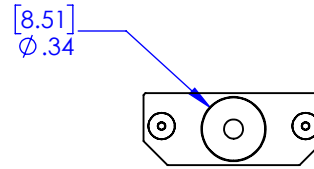
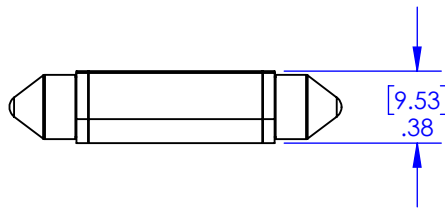
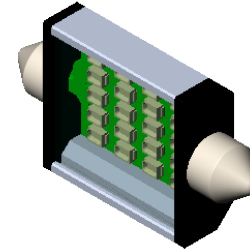
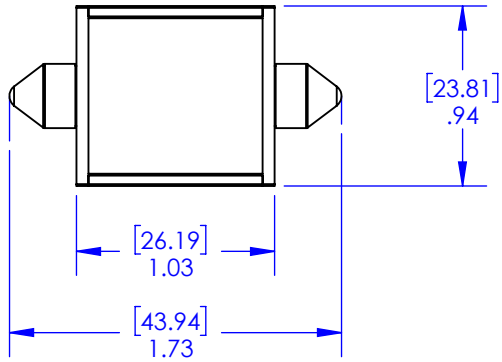



THE INFORMATION CONTAINED IN THIS DRAWING IS THE SOLE PROPERTY OF BLUE WOLF. ANY REPRODUCTION OR DISCLOSURE IN PART OR WHOLE WITHOUT THE WRITTEN PERMISSION OF BLUE WOLF IS PROHIBITED.



NOTES:

- 1.0 OPERATING VOLTAGE 80mA @ 12VDC
- 2.0 NVIS WHITE LIGHT OUTPUT, (27 cd, 88 lux)

REV.	DESCRIPTION	DATE	APPROVED
UNLESS OTHERWISE SPECIFIED: DIMENSIONS ARE IN INCHES STANDARD TOLERANCES ARE .X ± .032 .XX ± .010 .XXX ± .005 ANGLES ± 1/2° FRACTIONS ± 1/16 THIRD ANGLE PROJECTION DIM & TOL PER ASME Y14.5-2009		CAD GENERATED DRAWING, DO NOT MANUALLY UPDATE	
MATERIAL		APPROVALS	DATE
FINISH		D. SAND	3/7/2017
DO NOT SCALE DRAWING		CHECKED	TAP
		RESP ENG	3/7/2017
		MFG ENG	
		QUAL ENG	
			
		24 x 44mm, 20-SMD FESTOON BULB	
SIZE A	DWG. NO. BW-A355	REV.	
SCALE 1:1		CAD FILE:	SHEET 1 OF 1